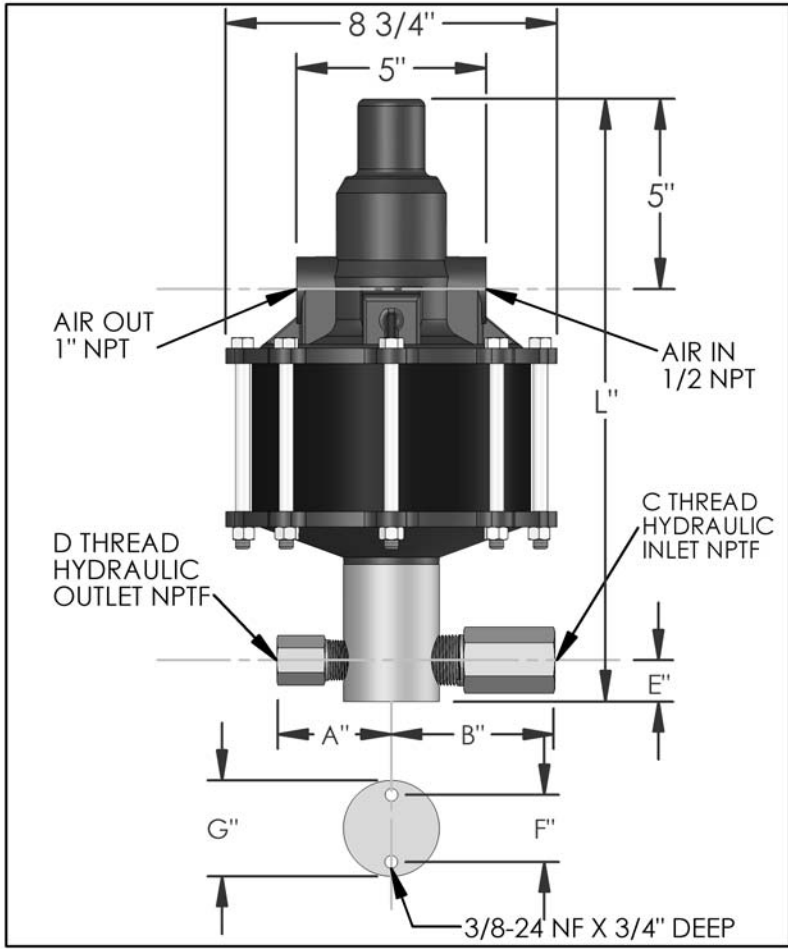


# PARTS LIST FOR AZ-2-36

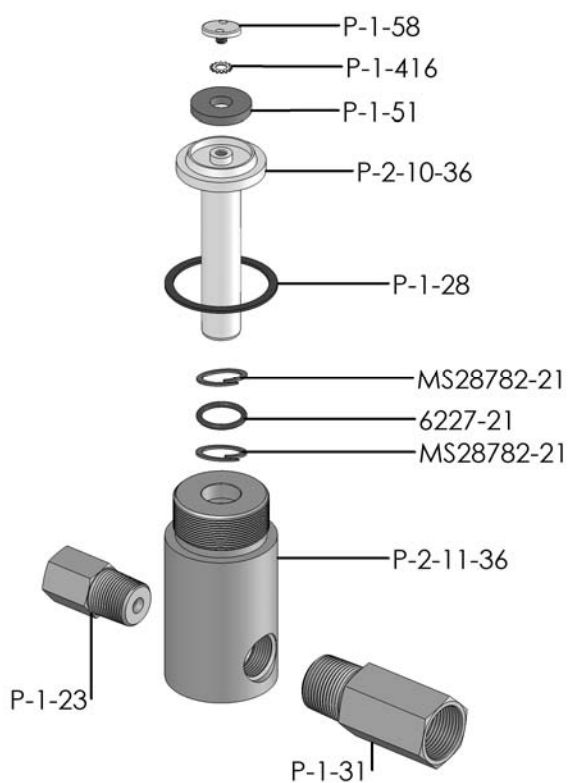


| DIMENSIONS (ins./mm) |    |     |    |     |    |       |       |
|----------------------|----|-----|----|-----|----|-------|-------|
| L                    | A  | B   | C  | D   | E  | F     | G     |
| 17-1/16              | 3  | 4   | 1" | 1/2 | 1  | 1-3/4 | 2-1/2 |
| 433                  | 76 | 102 |    |     | 25 | 44    | 64    |

|                         |       |
|-------------------------|-------|
| HYD. PISTON DIA. (ins.) | 1.125 |
| HYD. PISTON AREA (ins.) | 0.994 |
| VOLUME PER STROKE (ci.) | 2.49  |

Pump may be mounted in any position. (vertical Preferred) if mounted in an inverted position, drill a 1/16" hole in head or install a drain cock to release any fluid that may accumulate.

| AIR PRESSURE-PSI       | 10  | 20  | 30    | 40    | 50    | 60    | 70    | 80    | 90    | 100   | 110   |
|------------------------|-----|-----|-------|-------|-------|-------|-------|-------|-------|-------|-------|
| HYDRAULIC PRESSURE-PSI | 250 | 625 | 1,025 | 1,400 | 1,800 | 2,150 | 2,500 | 2,850 | 3,250 | 3,600 | 3,950 |



EXPLODED VIEW OF HYDRAULIC ASSEMBLY

| AIR PSI                |       | 60  | 80  | 100 | APPROXIMATE RATE OF DISCHARGE-CIPM |
|------------------------|-------|-----|-----|-----|------------------------------------|
| HYDRAULIC PRESSURE-PSI | 0     | 500 | 573 | 622 |                                    |
|                        | 250   |     |     |     |                                    |
|                        | 500   | 409 | 464 | 525 |                                    |
|                        | 750   |     |     |     |                                    |
|                        | 1,000 | 336 | 411 | 445 |                                    |
|                        | 1,250 |     |     |     |                                    |
|                        | 1,500 | 253 | 329 | 381 |                                    |
|                        | 1,750 |     |     |     |                                    |
|                        | 2,000 | 131 | 277 | 332 |                                    |
|                        | 2,500 | 0   | 188 | 273 |                                    |
|                        | 3,000 |     | 0   | 200 |                                    |
|                        | 3,500 |     |     | 45  |                                    |
|                        | 4,000 |     |     | 0   |                                    |
|                        | 4,500 |     |     |     |                                    |
|                        | 5,000 |     |     |     |                                    |
|                        | 6,000 |     |     |     |                                    |

# AZ-2 MODEL PUMP / PARTS LIST

## EXPLODED VIEW OF AIR MOTOR

P-2-113

