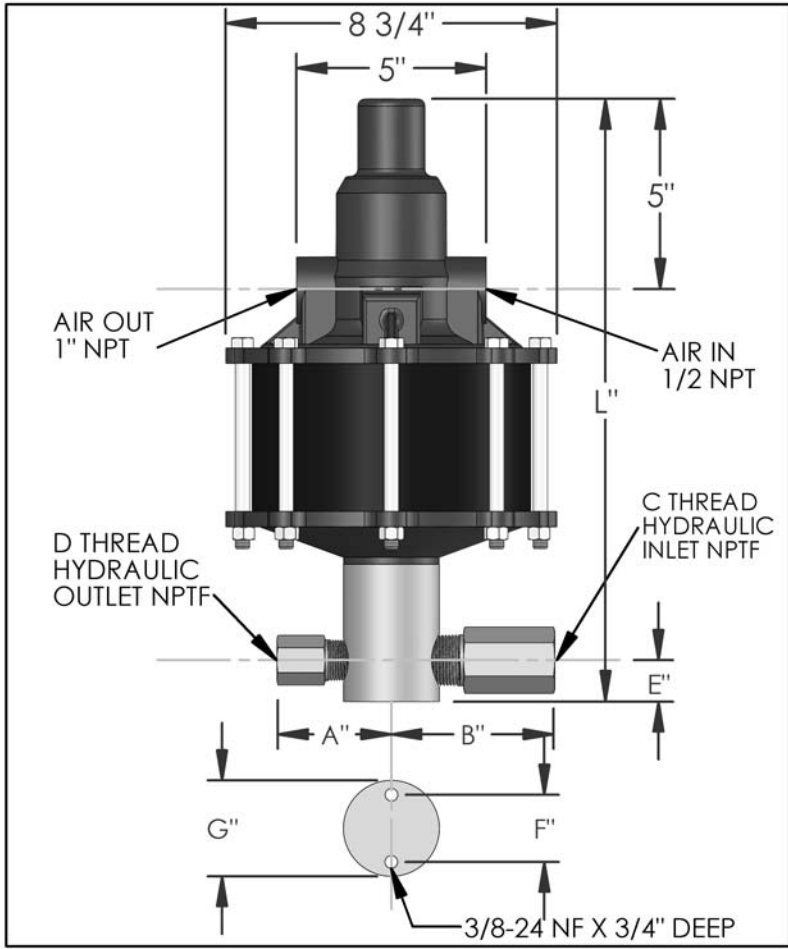


PARTS LIST FOR AZ-2-27

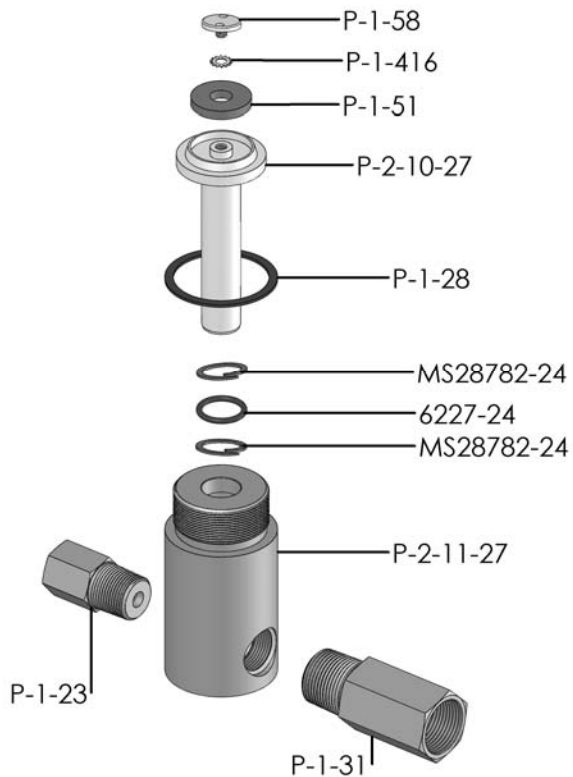


DIMENSIONS (ins./mm)							
L	A	B	C	D	E	F	G
17-1/16	3	4	1"	1/2	1	1-3/4	2-1/2
433	76	102			25	44	64

HYD. PISTON DIA. (ins.)	1.313
HYD. PISTON AREA (ins.)	1.3540
VOLUME PER STROKE (ci.)	3.382

Pump may be mounted in any position. (vertical Preferred) if mounted in an inverted position, drill a 1/16" hole in head or install a drain cock to release any fluid that may accumulate.

AIR PRESSURE-PSI	10	20	30	40	50	60	70	80	90	100	110
HYDRAULIC PRESSURE-PSI	180	450	725	1,000	1,300	1,550	1,850	2,125	2,400	2,700	2,950



EXPLODED VIEW OF HYDRAULIC ASSEMBLY

AIR PSI	60	80	100	APPROXIMATE RATE OF DISCHARGE-CIPM
0	708	769	817	
250				
500	525	622	647	
750				
1,000	397	488	549	
1,250				
1,500	88	375	458	
1,750	0	289	409	
2,000		117	342	
2,500		0	169	
3,000			0	
3,500				
4,000				
4,500				
5,000				
6,000				

AZ-2 MODEL PUMP / PARTS LIST

EXPLODED VIEW OF AIR MOTOR

P-2-113

