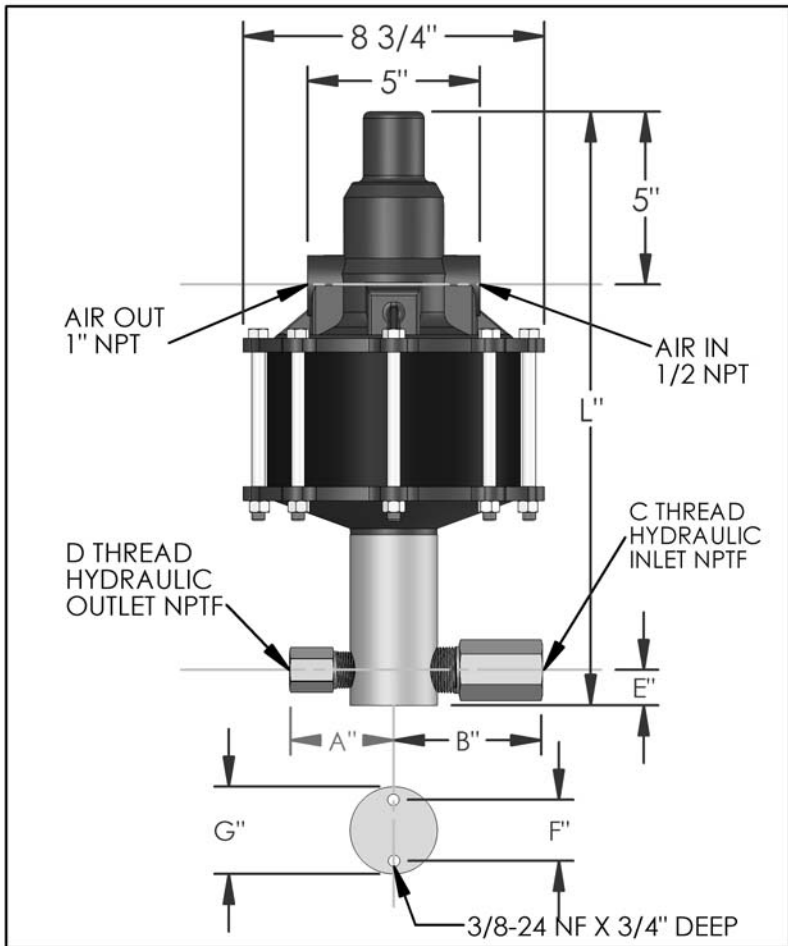


PARTS LIST FOR AZ-2-21LPS

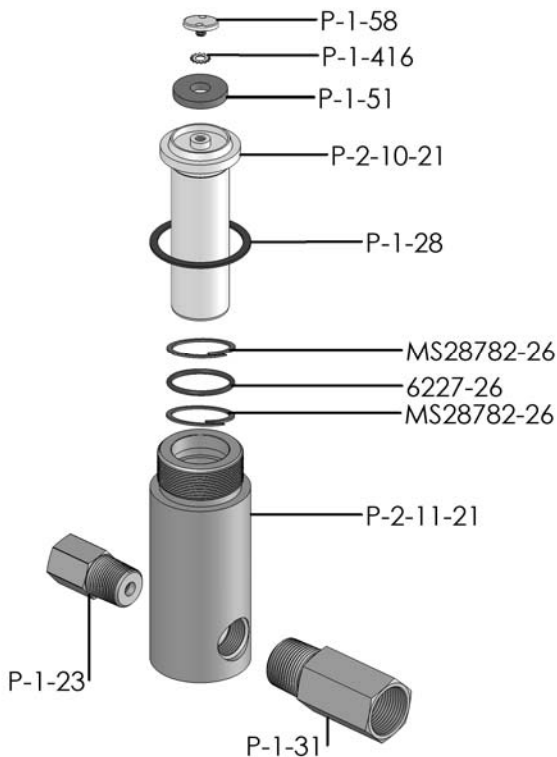


DIMENSIONS (ins./mm)							
L	A	B	C	D	E	F	G
17-1/16	3	4	1"	1/2	1	1-3/4	2-1/2
433	76	102			25	44	64

HYD. PISTON DIA. (ins.)	1.438
HYD. PISTON AREA (ins.)	1.6241
VOLUME PER STROKE (ci.)	4.06

Pump may be mounted in any position. (vertical Preferred) if mounted in an inverted position, drill a 1/16" hole in head or install a drain cock to release any fluid that may accumulate.

AIR PRESSURE-PSI	f	20	30	40	50	60	70	80	90	100	110
HYDRAULIC PRESSURE-PSI	165	425	650	875	1,075	1,300	1,550	1,750	1,950	2,150	2,350



EXPLODED VIEW OF HYDRAULIC ASSEMBLY

AIR PSI		60	80	100	APPROXIMATE RATE OF DISCHARGE-CIPM
HYDRAULIC PRESSURE-PSI	0	825	915	976	
	250	732	842	854	
	500	610	708	810	
	750	512	647	683	
	1,000	372	537	622	
	1,250	128	445	529	
	1,500	0	327	476	
	1,750		327	476	
	2,000		56	361	
	2,500		0	223	
	3,000			0	
	3,500				
	4,000				
	4,500				
	5,000				
	6,000				

AZ-2 MODEL PUMP / PARTS LIST

EXPLODED VIEW OF AIR MOTOR

P-2-113LPS

