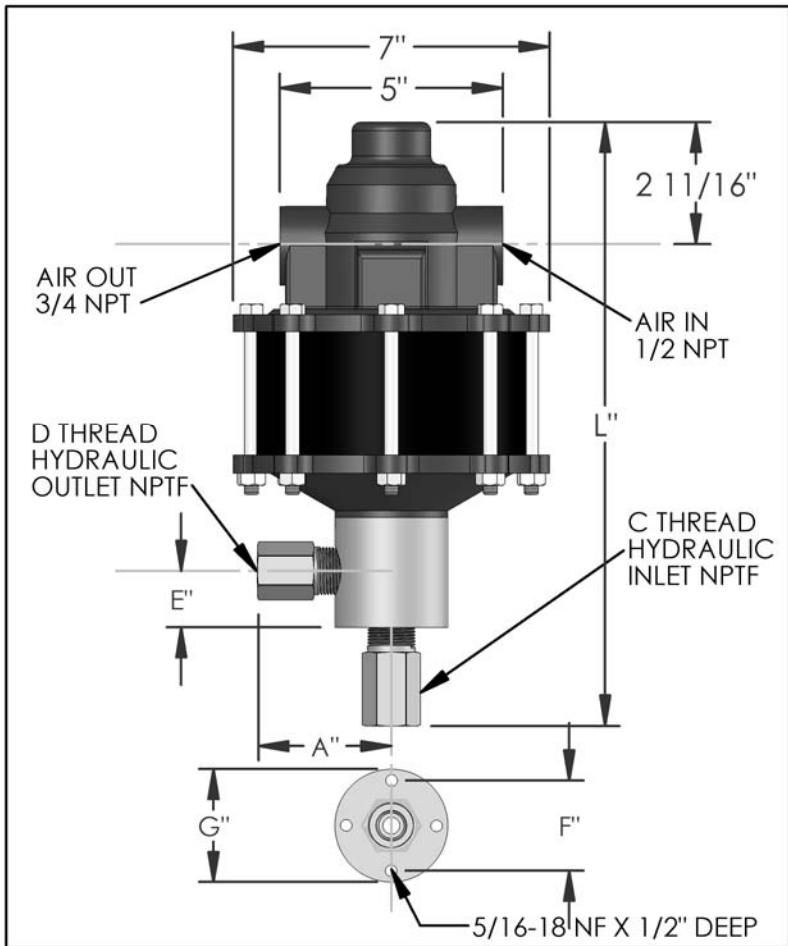


# PARTS LIST FOR AZ-1-58B

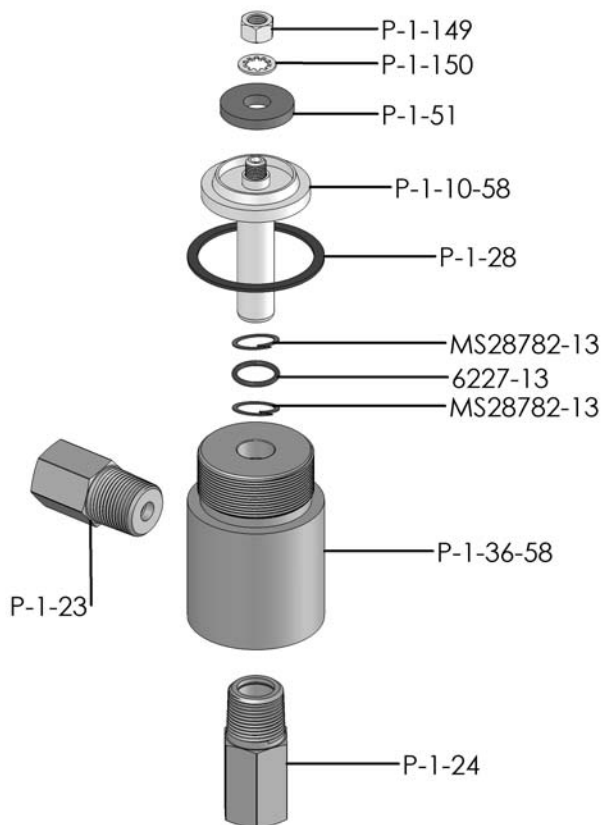


DIMENSIONS (ins./mm)							
L	A	B	C	D	E	F	G
13-1/2	3	N/A	1/2	1/2	7/8	1-3/4	2-1/2
343	76	N/A			22	44	64

HYD. PISTON DIA. (ins.)	0.688
HYD. PISTON AREA (ins.)	0.3718
VOLUME PER STROKE (ci.)	0.464

Pump may be mounted in any position. (vertical Preferred) if mounted in an inverted position, drill a 1/16" hole in head or install a drain cock to release any fluid that may accumulate.

AIR PRESSURE-PSI	10	20	30	40	50	60	70	80	90	100
HYDRAULIC PRESSURE-PSI	400	1,000	1,700	2,200	2,900	3,400	4,000	4,600	5,200	5,800



HYDRAULIC PRESSURE-PSI	AIR PSI	60	80	100	APPROXIMATE RATE OF DISCHARGE-CIPM
	0	186	200	217	
250					
500					
750					
1,000	119	137	153		
1,250					
1,500					
1,750					
2,000	99	117	137		
2,500					
3,000	63	96	113		
3,500	0	84	104		
4,000		67	95		
4,500		0	79		
5,000			62		
6,000			0		

EXPLODED VIEW OF HYDRAULIC ASSEMBLY

# AZ-1 MODEL PUMP / PARTS LIST

## EXPLODED VIEW OF AIR MOTOR

### P-1-113

