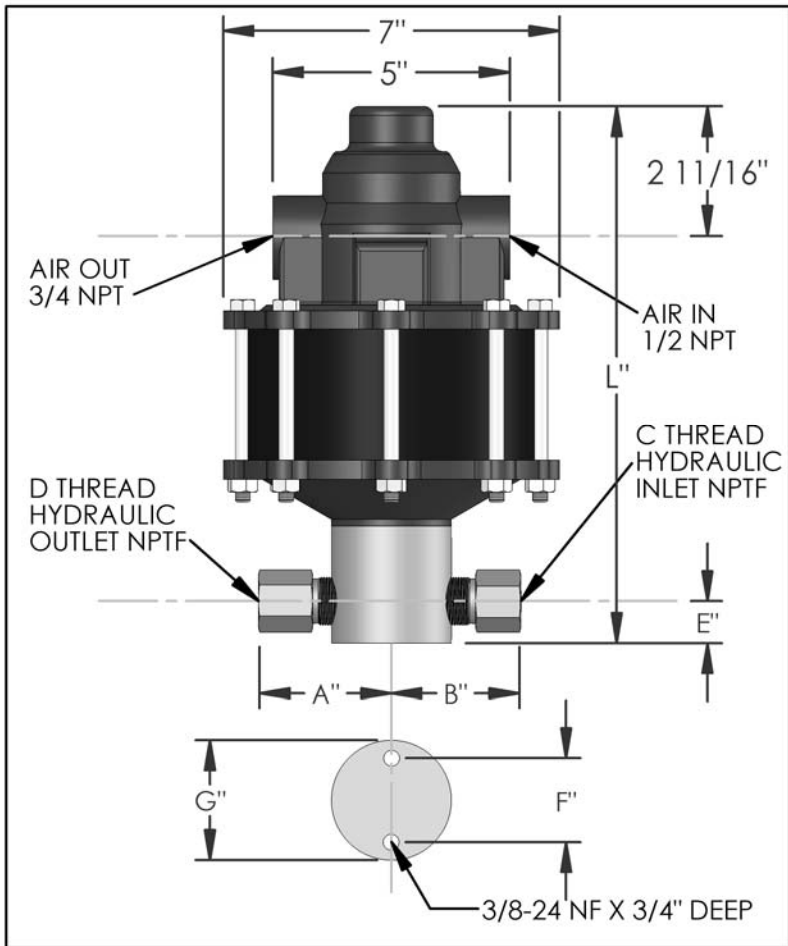


PARTS LIST FOR AZ-1-275LPS

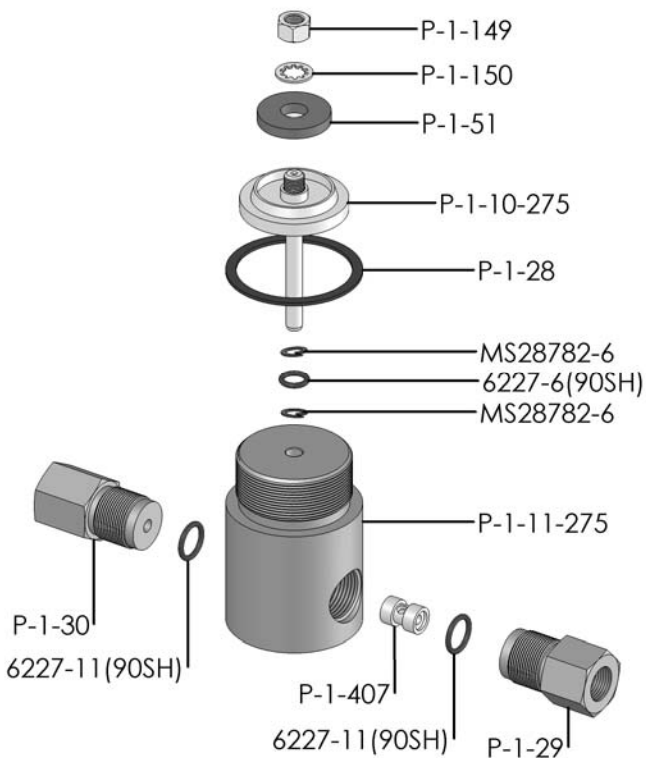


DIMENSIONS (ins./mm)							
L	A	B	C	D	E	F	G
11-1/4	2-1/2	2-5/16	3/8	3/8	7/8	1-3/4	2-1/2
286	64	59			22	44	64

HYD. PISTON DIA. (ins.)	0.313
HYD. PISTON AREA (ins.)	0.0769
VOLUME PER STROKE (ci.)	0.096

Pump may be mounted in any position. (vertical Preferred) if mounted in an inverted position, drill a 1/16" hole in head or install a drain cock to release any fluid that may accumulate.

AIR PRESSURE-PSI	10	20	30	40	50	60	70	80	90	100
HYDRAULIC PRESSURE-PSI	2,250	4,000	7,750	10,500	13,500	16,250	18,750	21,500	24,500	27,500



EXPLODED VIEW OF HYDRAULIC ASSEMBLY

HYDRAULIC PRESSURE-PSI	AIR PSI	60	80	100	APPROXIMATE RATE OF DISCHARGE-CIPM
	0	36	41	44	
3,000	23	27	29		
3,500					
4,000					
4,500					
5,000					
6,000	20	23	25		
7,000					
8,000					
9,000	18	21	24		
10,000					
12,500	15	19	21		
15,000	12	18	20		
20,000	0	13	18		
25,000		0	13		
30,000			0		

AZ-1 MODEL PUMP / PARTS LIST

EXPLODED VIEW OF AIR MOTOR

P-1-113LPS

