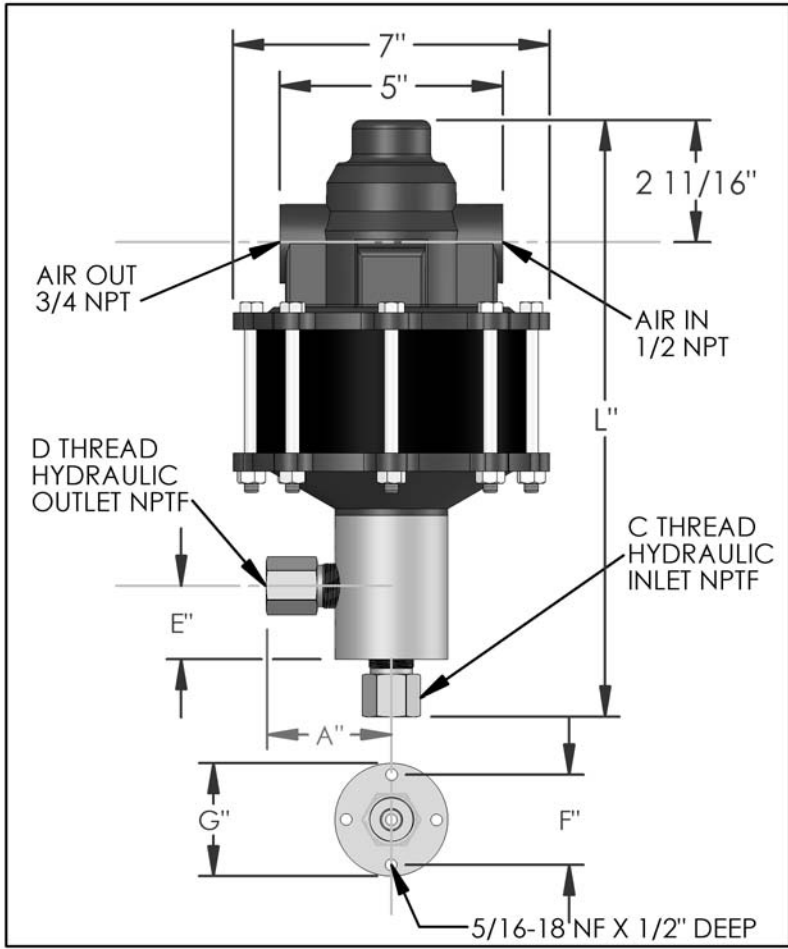


PARTS LIST FOR AZ-1-275B

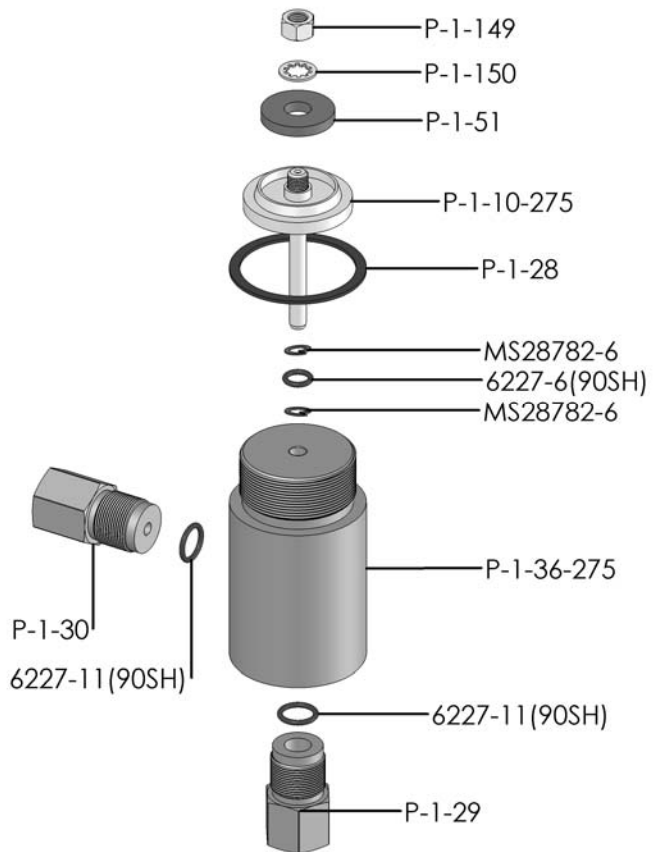


DIMENSIONS (ins./mm)							
L	A	B	C	D	E	F	G
13-1/16	2-1/2	N/A	3/8	3/8	7/8	1-3/4	2-1/2
332	64	N/A			22	44	64

HYD. PISTON DIA. (ins.)	0.313
HYD. PISTON AREA (ins.)	0.0769
VOLUME PER STROKE (ci.)	0.096

Pump may be mounted in any position. (vertical Preferred) if mounted in an inverted position, drill a 1/16" hole in head or install a drain cock to release any fluid that may accumulate.

AIR PRESSURE-PSI	10	20	30	40	50	60	70	80	90	100
HYDRAULIC PRESSURE-PSI	2,250	4,000	7,750	10,500	13,500	16,250	18,750	21,500	24,500	27,500



AIR PSI		60	80	100
HYDRAULIC PRESSURE-PSI	0	36	41	44
	3,000	23	27	29
	3,500			
	4,000			
	4,500			
	5,000			
	6,000	20	23	25
	7,000			
	8,000			
	9,000	18	21	24
	10,000			
	12,500	15	19	21
	15,000	12	18	20
	20,000	0	13	18
	25,000		0	13
30,000			0	

APPROXIMATE RATE OF DISCHARGE-CIPM

EXPLODED VIEW OF HYDRAULIC ASSEMBLY

AZ-1 MODEL PUMP / PARTS LIST

EXPLODED VIEW OF AIR MOTOR

P-1-113

