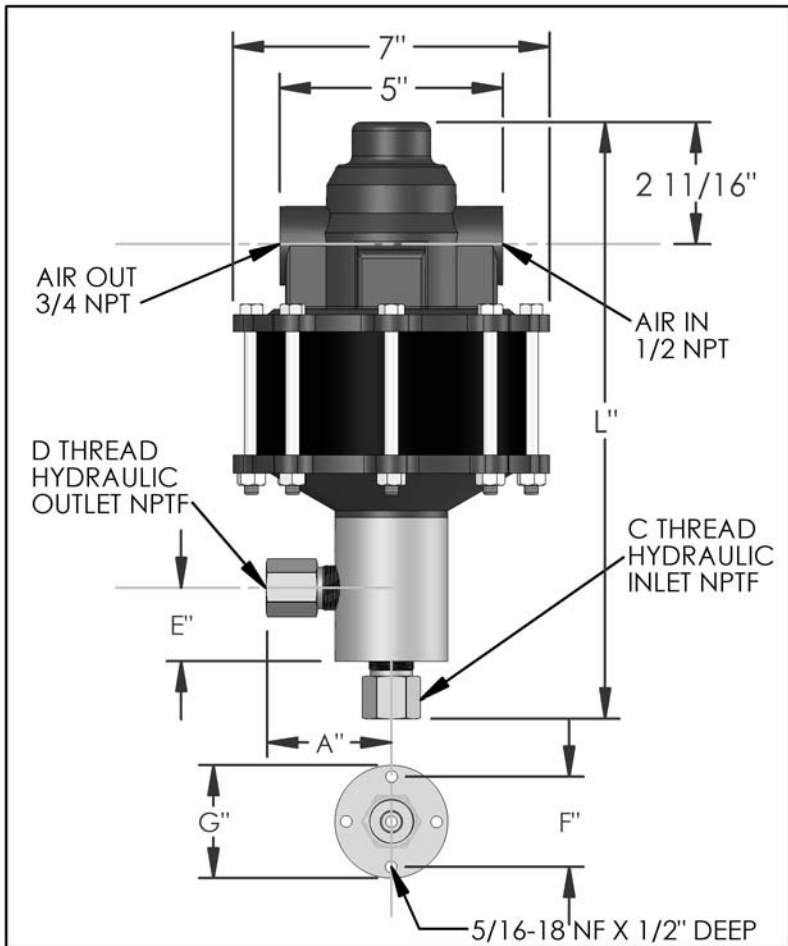


PARTS LIST FOR AZ-1-187B

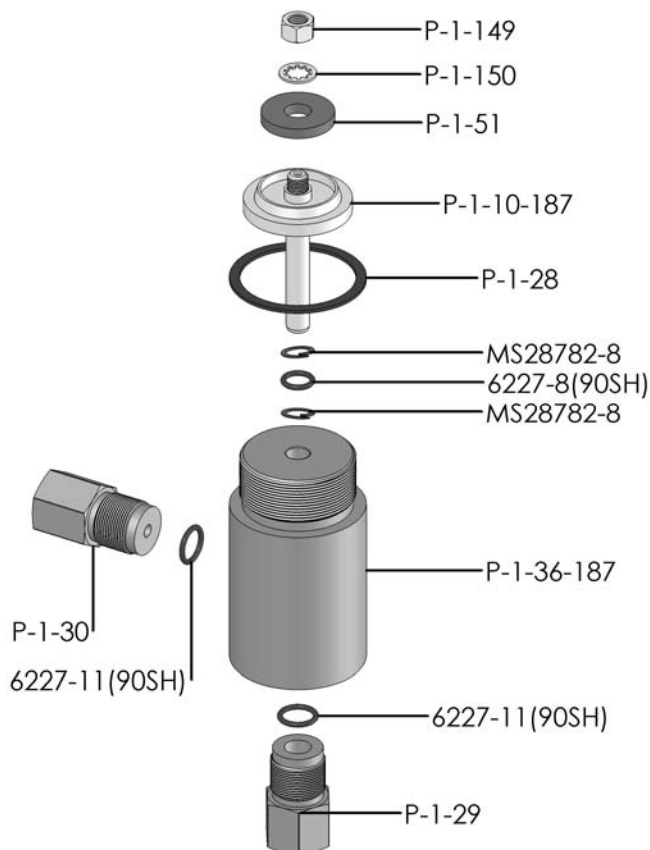


DIMENSIONS (ins./mm)							
L	A	B	C	D	E	F	G
13-1/16	2-1/2	N/A	3/8	3/8	7/8	1-3/4	2-1/2
332	64	N/A			22	44	64

HYD. PISTON DIA. (ins.)	0.375
HYD. PISTON AREA (ins.)	0.1104
VOLUME PER STROKE (ci.)	0.138

Pump may be mounted in any position. (vertical Preferred) if mounted in an inverted position, drill a 1/16" hole in head or install a drain cock to release any fluid that may accumulate.

AIR PRESSURE-PSI	10	20	30	40	50	60	70	80	90	100
HYDRAULIC PRESSURE-PSI	1,400	3,250	5,250	7,250	9,250	11,250	13,250	15,000	17,000	18,750



HYDRAULIC PRESSURE-PSI	AIR PSI			APPROXIMATE RATE OF DISCHARGE-CIPM
	60	80	100	
0	52	62	70	
2,000				
2,500	37	40	46	
3,000				
3,500				
4,000				
4,500				
5,000	31	37	41	
6,000				
7,000				
8,000	24	31	36	
9,000				
10,000	18	27	32	
12,500		23	28	
15,000		3	24	
20,000			0	

EXPLODED VIEW OF HYDRAULIC ASSEMBLY

AZ-1 MODEL PUMP / PARTS LIST

EXPLODED VIEW OF AIR MOTOR

P-1-113

