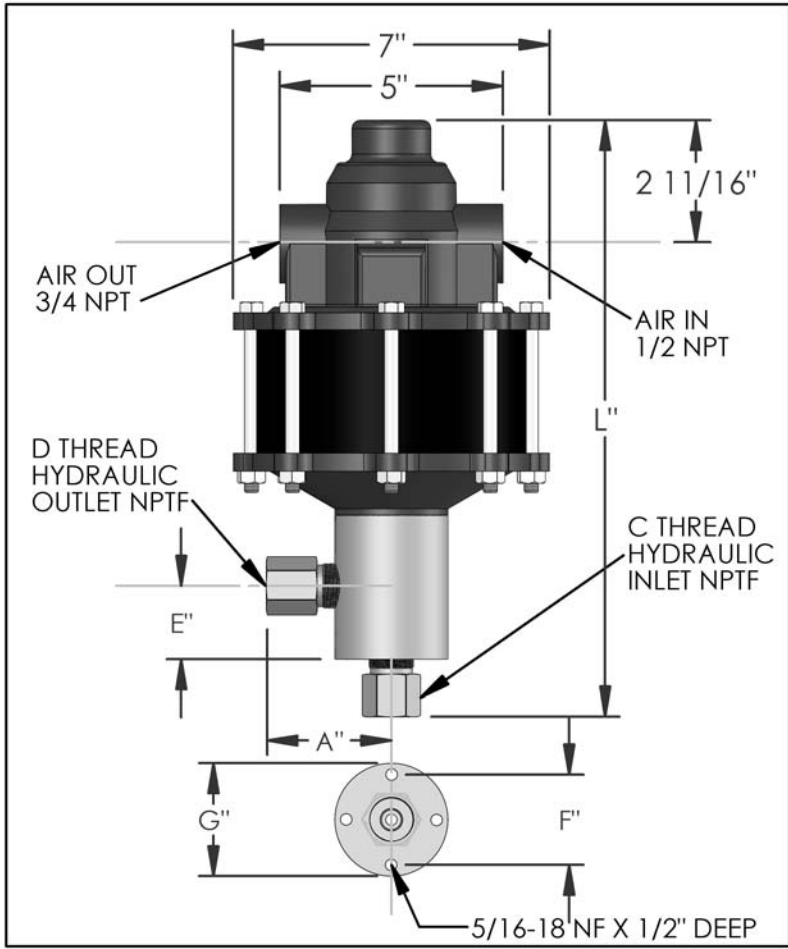


# PARTS LIST FOR AZ-1-140B

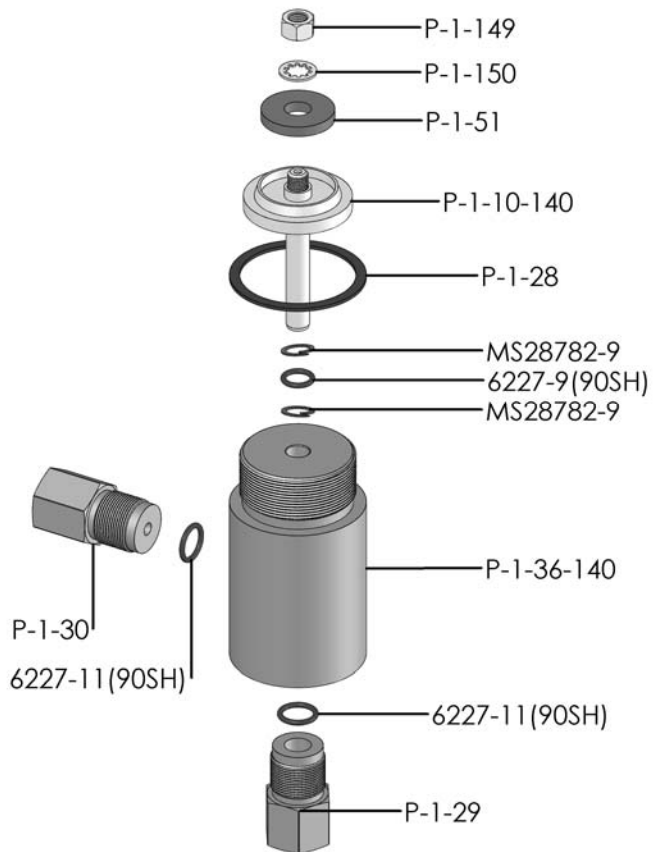


DIMENSIONS (ins./mm)							
L	A	B	C	D	E	F	G
13-1/16	2-1/2	N/A	3/8	3/8	7/8	1-3/4	2-1/2
332	64	N/A			22	44	64

HYD. PISTON DIA. (ins.)	0.438
HYD. PISTON AREA (ins.)	0.1507
VOLUME PER STROKE (ci.)	0.188

Pump may be mounted in any position. (vertical Preferred) if mounted in an inverted position, drill a 1/16" hole in head or install a drain cock to release any fluid that may accumulate.

AIR PRESSURE-PSI	10	20	30	40	50	60	70	80	90	100
HYDRAULIC PRESSURE-PSI	1,100	2,400	3,900	5,400	6,900	8,300	9,800	11,200	12,600	14,000



HYDRAULIC PRESSURE-PSI	AIR PSI			APPROXIMATE RATE OF DISCHARGE-CIPM
	60	80	100	
0	79	86	92	
1,500				
2,000	50	57	61	
2,500				
3,000				
3,500				
4,000	41	51	56	
4,500				
5,000				
6,000	33	42	50	
7,000				
8,000	17	35	43	
9,000				
10,000	0	23	37	
12,500		0	29	
15,000			0	

EXPLODED VIEW OF HYDRAULIC ASSEMBLY

# AZ-1 MODEL PUMP / PARTS LIST

## EXPLODED VIEW OF AIR MOTOR

### P-1-113

